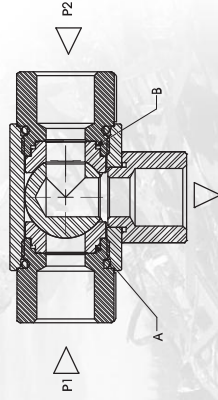
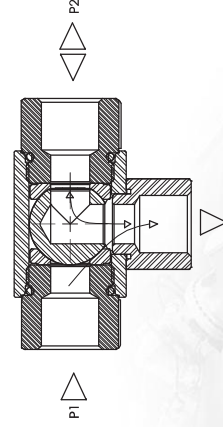
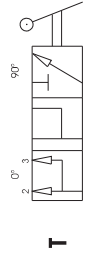
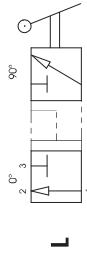
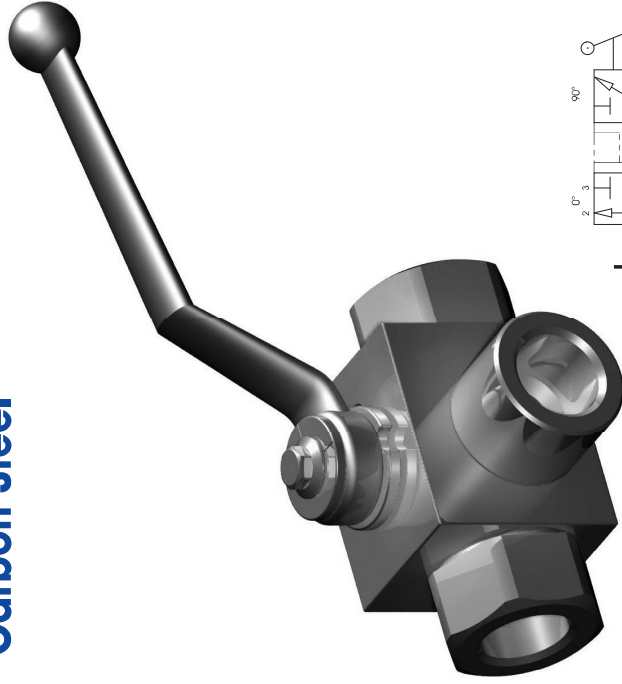


Carbon Steel

GE3K 3-WAY HIGH PRESSURE BALL VALVES



GE3K BALL VALVE
THE SEAL ON THE LEFT (A)
IS PUSHED TOWARDS THE BALL
BY THE PRESSURE (P1)
THE FLOATING BALL IS PUSHED
AGAINST THE SEAL ON THE RIGHT (B)
CREATING A WATER-TIGHT SEAL
WITHOUT ANY LEAKAGES

Type and way of valve
GE3K 3-way high pressure ball valves

Valves dimension of inch

ANSI/ASME		SAE		DIN 2353	
BI,20.1 NPT		J1926-1		HEAVY-SERIES	
LIGHT SERIES					
GAS	DIN/ISO 228	G 1/8	G 1/8	6L	8L
G 1/4	N 1/4	G 3/8	N 3/8	10S	10L
G 1/2	N 1/2	G 3/4	N 3/4	12S	12L
G 1"	N 1"	G 1 1/4 R	N 1 1/4 R	14S	14L
G 1 1/2 R	N 1 1/2 R	G 2"	N 2"	16S	16L
		G 2 1/2 R	N 2 1/2 R	20S	20L
		G 3"	N 3"	25S	25L
				30S	30L
				38S	38L
					42L

GE3 G 1/2 DN13

Nominal dimension

- DN4
- DN6
- DN10
- DN13
- DN20
- DN25

Body material

- 2 1,0737

Adapter material

- 1 1,0737

Stem material

- 1 1,0737

Ball material

- 1 1,0737

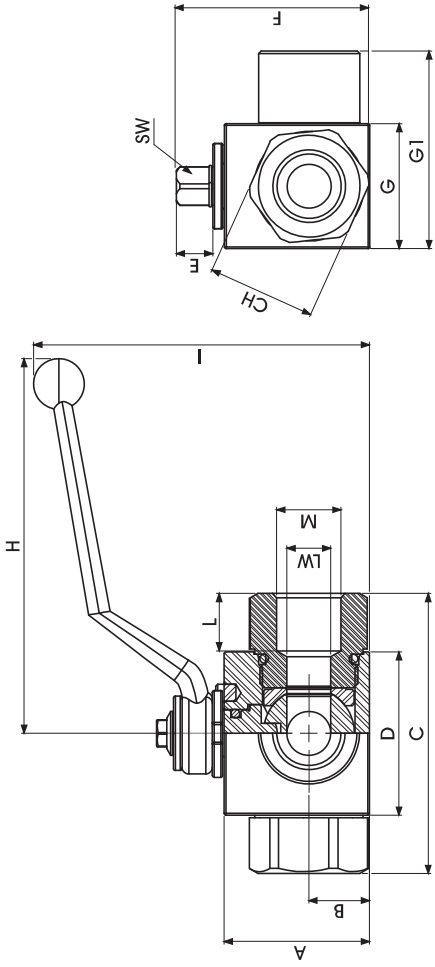
Ball seat material

- A POM

Adapter and stem seal material

- B NBR

"The company reserves the right to operate dimensional changes without prior notice".



DIN ISO 228

ANSI/ASME B1.20.1

SAE J1926-1

GE3K DIN ISO 228 BSP
Standard

TYPE	PN	DN	A	B	C	D	E	F	G	G1	H	I	L	M	CH	SW	LW	WEIGHT Kg	ITEM CODE
GE3K G 1/8	40 MPa	4	35	14,5	71	42,4	11	49	30	48,5	110	91,5	11	G 1/8	24	9	4	0,558	GK3GGT04011A000
GE3K G 1/4	40 MPa	6	35	14,5	71	42,4	11	49	30	48,5	110	91,5	15,5	G 1/4	24	9	6	0,536	GK3GGT14011A000
GE3K G 3/8	40 MPa	10	40	17,4	73	44,4	11	54,25	35	54,5	110	96,5	15,5	G 3/8	30	9	10	0,695	GK3GGT24011A000
GE3K G 1/2	35 MPa	13	43	18	83	48,4	11	57	37	58,5	110	99,5	17	G 1/2	32	9	13	0,825	GK3GGT33011A000
GE3K G 3/4	35 MPa	20	55	23,4	95	62,5	14	73,5	45	75	180	106,5	21	G 3/4	41	14	20	1,583	GK3GGT43011A000
GE3K G 1"	35 MPa	25	65	29,5	112	66,5	14	83,5	55	87,5	180	116,5	24	G 1"	50	14	25	2,421	GK3GGT53011A000
GE3K G 1 1/4 R	35 MPa	25	65	29,5	120	66,5	14	83,5	55	87,5	180	116,5	24	G 1 1/4	55	14	25	2,601	GK3GGR63011A000
GE3K G 1 1/2 R	35 MPa	25	65	29,5	124	66,5	14	83,5	55	87,5	180	116,5	24	G 1 1/2	60	14	25	2,756	GK3GGR73011A000

GE3K ANSI/ASME B1.20.1 NPT
Standard

TYPE	PN	DN	A	B	C	D	E	F	G	G1	H	I	L	M	CH	SW	LW	WEIGHT Kg	ITEM CODE
GE3K N 1/8	40 MPa	4	35	14,5	71	42,4	11	49	30	48,5	110	91,5	11	N 1/8	24	9	4	0,558	GK3NNT04011A000
GE3K N 1/4	40 MPa	6	35	14,5	71	42,4	11	49	30	48,5	110	91,5	17	N 1/4	24	9	6	0,536	GK3NNT14011A000
GE3K N 3/8	40 MPa	10	40	17,4	73	44,4	11	54,25	35	54,5	110	96,5	17	N 3/8	30	9	10	0,695	GK3NNT24011A000
GE3K N 1/2	35 MPa	13	43	18	83	48,4	11	57	37	58,5	110	99,5	21	N 1/2	32	9	13	0,825	GK3NNT33011A000
GE3K N 3/4	35 MPa	20	55	23,4	95	62,5	14	73,5	45	75	180	106,5	21	N 3/4	41	14	20	1,583	GK3NNT43011A000
GE3K N 1"	35 MPa	25	65	29,5	112	66,5	14	83,5	55	87,5	180	116,5	24	N 1"	50	14	25	2,421	GK3NNT53011A000
GE3K N 1 1/4 R	35 MPa	25	65	29,5	120	66,5	14	83,5	55	87,5	180	116,5	24	N 1 1/4	55	14	25	2,601	GK3NNR63011A000
GE3K N 1 1/2 R	35 MPa	25	65	29,5	124	66,5	14	83,5	55	87,5	180	116,5	24	N 1 1/2	60	14	25	2,756	GK3NNR73011A000

GE3K SAE J1926-1
Standard

TYPE	PN	DN	A	B	C	D	E	F	G	G1	H	I	L	M	CH	SW	LW	WEIGHT Kg	ITEM CODE
GE3K SAE4	40 MPa	6	35	14,5	71	42,4	11	49	30	48,5	110	91,5	15,5	7/16 UNF	24	9	6	0,536	GK3EEE04011A000
GE3K SAE6	40 MPa	10	40	17,4	73	44,4	11	54,25	35	54,5	110	96,5	16	9/16 UNF	30	9	10	0,695	GK3EEE14011A000
GE3K SAE8	35 MPa	13	43	18	83	48,4	11	57	37	58,5	110	99,5	17,5	3/4 UNF	32	9	13	0,825	GK3EEE23011A000
GE3K SAE12	35 MPa	20	55	23,4	95	62,5	14	73,5	45	75	180	106,5	23	1 1/16 UN	41	14	20	1,583	GK3EEE33011A000
GE3K SAE16	35 MPa	25	65	29,5	112	66,5	14	83,5	55	87,5	180	116,5	23	1 5/16 UN	50	14	25	2,421	GK3EEE43011A000
GE3K SAE20R	35 MPa	25	65	29,5	120	66,5	14	83,5	55	87,5	180	116,5	23	1 5/8 UN	55	14	25	2,601	GK3EEE53011A000
GE3K SAE24R	35 MPa	25	65	29,5	124	66,5	14	83,5	55	87,5	180	116,5	23	1 7/8 UN	60	14	25	2,756	GK3EEE63011A000

"The company reserves the right to operate dimensional changes without prior notice".